



médipréma G R O W I N G

INFANT RADIANT WARMER
AMBIA - REF. 4357

The right heat at the right time



REF. 4357

Médipréma's **Ambia radiant warmers** is fixed on a care crib. It occurs a very easy access to the neonate and quickly and safety warms it up.



AMBIA

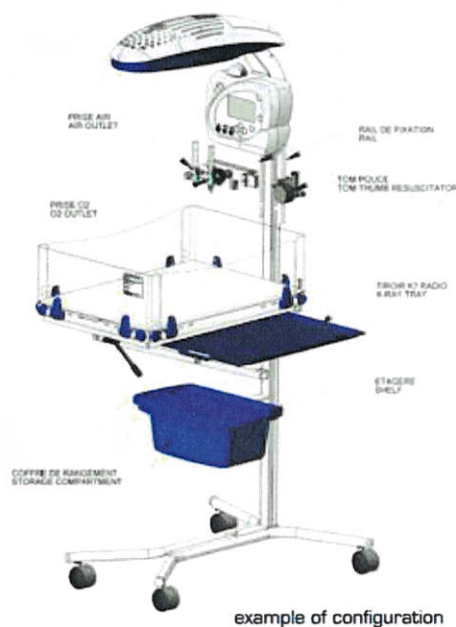
INFANT RADIANT WARMER AMBIA - REF. 4357

SPECIFICATIONS

- **Temperature regulation**
 - air from 20 to 39°C (with secure access under 28°C and above 37°C). The warmer offers a genuine air mode : the temperature sensors take into account the ambient temperature variations to automatically adjust radiation of the heating element and to indicate the temperature (in degree Celsius) at the baby level.
 - skin from 35 to 38°C (with secure access above 37°C).
- **Radiant heating** by low temperature glass ceramic emitter combining mild heat and reactivity.
- **Fast temperature rise.** Heating power: 1000W (absorbed power 1300VA).
- **Measurement of peripheral temperature** (optional).
- **Built in oxygen monitor** (O2 probe optional) with 0 to 100% measurement scale and low and high thresholds adjustable from 20 to 99%.
- **APGAR timer** with double «beep» at 1, 3, 5 and 10 minutes.
- **Sound and visual alarms** with advanced management. For the comfort of the neonate and the medical team, alarms are classified in 3 urgency levels, with specific sound and visual characteristics for each, depending on the degree of urgency of the action.
- **Power supply** 220-240V - 50/60 HZ.
- **Electrical class:** I type BF.
- **Class IIb medical device.**

DESCRIPTION

- **Control panel** with a LCD screen at eyes-level for a good visibility of data and alarms. Possibility to display the information in real time in curve forms (monitoring).
- **Bedding:** 720x510mm surrounded by 4 transparent protection shields around the baby.
- **Large and continuous** tilt positions (0°/15°).
- X-ray tray under the bedding to take X-rays without moving the baby and 90° swivelling hood to simplify taking X-rays.
- **Fold down side panels** for an easy access to the baby. These are fully removable for washing by soaking.
- **4 tubing ports** and 4 orifices for drains to pass through at low point.
- **Pole** featuring 1 horizontal rail (25 cm) for attachment of accessories.
- **Ambient lighting** built into the hood.
- **Floor/bedding height** 680/1025 mm.
- **Storage compartment.**
- **4 swivelling castors** (2 with brake).
- **Dimensions LxWxH:** 977 x 750 x 1595/1940 mm (manual variable height adjustment).
- **Weight:** 30 Kg.



OPTIONS & ACCESSORIES

- Full air, O2, vacuum panels
- Tom Pouce semi automatic insufflator
- Ventilator hose support arm
- Single patient skin probe
- O2 probe
- Peripheral probe



Made in France

mediprema

