

MANUMED TILT

A specially designed tilting table for moving patients steplessly from horizontal to vertical, between 0 and 90°. The ideal couch for neuromotor treatments, among others. Children can also be treated safely and without problems.

The Tilt comes as a 1-section or as a 2-section couch.



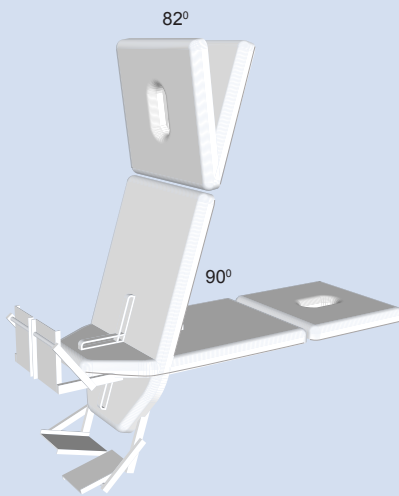
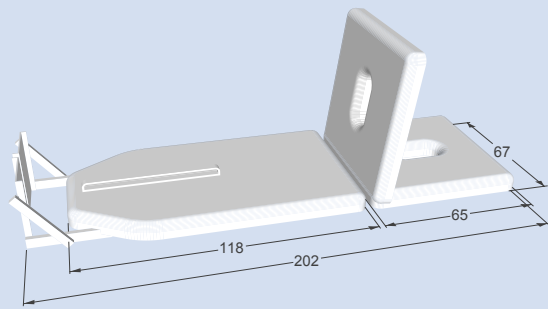
- Tilts from 0 to 90°
- Suitable for children
- Electrical height adjustment
- Large wheels for safe movement



ENRAF-NONIUS B.V.
Vareseweg 127
3047 AT Rotterdam
The Netherlands
T: +31-(0)10 - 203 06 00
E: info@enraf-nonius.nl
www.enraf-nonius.com

MANUMED TILT

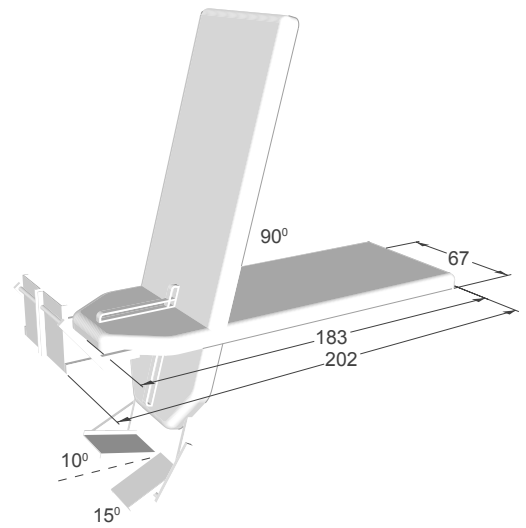
MANUMED TILT 2-SECTION



Type

- 724 Manumed Tilt 2-section, electric H/L and electric tilting; Nose-hole including plug
- 725 Manumed Tilt 2-section with leg fixation rails, electric H/L and electric tilting; Nose-hole including plug

MANUMED TILT 1-SECTION



Type

- 722 Manumed Tilt 1-section, electric H/L and electric tilting; No nose-hole
- 723 Manumed Tilt 1-section with leg fixation rails, electric H/L and electric tilting; No nose-hole

TECHNICAL SPECIFICATIONS

Size tabletop (lxw):	202 x 67 cm
Height adjustment:	55 - 106 cm
Lifting capacity:	175 kg
Power supply:	120/230VAC 50/60 Hz
Current consumption:	3.0 A max.



MANUMED COLOURS

A matching Enraf-Nonius couch for every interior. As in other practices, a pleasant ambience is important in physiotherapy practices. Clients must feel comfortable in the room where they are being treated. As each practice is furnished differently and has its own colour scheme, we regard it as important for the treatment couches to fit in with your look and feel. That is why we can manufacture our treatment couches in several frame and upholstery colours. Our imitation leather upholstery contains no phthalates and is flame retardant – a unique combination that makes this material suitable for medical use!



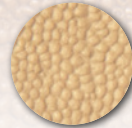
NATURAL



811
volcano black



850
walnut



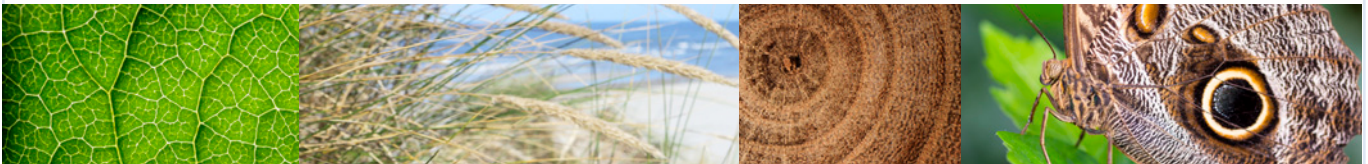
851
sand



886
leaf



888
snow



LIFESTYLE



410
anthracit



406
petrol



407
cherry



408
terracotta



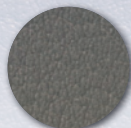
409
skin



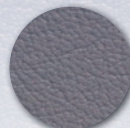
EXECUTIVE



012
black



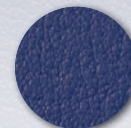
213
grey



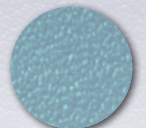
199
lavender



204
sirius blue



169
cornflower
blue



170
baby blue



Frame colour



Ral 7035
grey

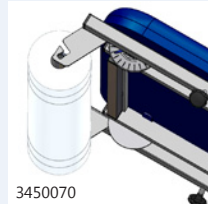
ACCESSORIES MANUMED TILT

PAPER ROLL HOLDER AND PAPER ROLLS

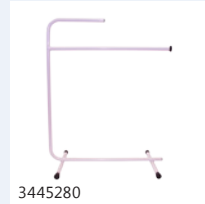
3450052	Paper roll holder for 2-section
3450070	Paper roll holder for 1-section
3445280	Paper roll stand (floor type) for 50 & 60 cm rolls
3445278	Paper roll, width 50 cm, roll-length 150 m, per 5 rolls
3445279	Paper roll, width 60 cm, roll-length 150 m, per 5 rolls



3450052



3450070



3445280



3445279 / 3445278

MISCELLANEOUS MANUMED TILT

3496648	Battery pack
3445043	Arm rests (set of two)
3445044	Work table
3445065	Fixing bar for arm rests and/or the work table
3451055	Set of wheels with 2-sided operation



3496648



3445043



3445044



3445065



3451055



FIXATION STRAPS

3445023	Fixation strap with velcro fastener 120 cm
3445014	Fixation strap with velcro fastener 160 cm
3445015	Fixation strap with velcro fastener 240 cm
3445475	Fixation strap with safety lock 250 cm
3445474	Fixation strap with safety lock 350 cm
3445024	Fixation straps for the knees or thorax fixation
3445046	Fixation straps for the knees for the Manumed Tilt with central fixation rails



3445023



3445014 / 3445015



3445474 / 3445475



3445024



3445046



ACCESSORIES MANUMED TILT

STOOLS (AVAILABLE IN ALL COLOURS SHOWN BELOW)

3xxx010	Stool, height adjustable 40-53 cm
3xxx011	Stool, mobile, height adjustable 59-85 cm
3xxx012	Stool, mobile, provided with footrest, height adjustable 59-85 cm
3xxx013	Stool, mobile, anatomic seat, height adjustable 43-56 cm
3xxx020	Stool, mobile, saddle seat, height adjustable 59-85 cm



3xxx010

3xxx011

3xxx012

3xxx013

3xxx020

ROLLS AND CUSHIONS (AVAILABLE IN ALL COLOURS SHOWN BELOW)

3xxx002	Halfroll, flat bottom, small, especially for the ankle	28x9x11 cm
3xxx003	Halfroll, flat bottom, large	56x16x18 cm
3xxx023	Massage roll	50x Ø15 cm
3xxx004	Neck cushion, hourglass type	30x15 cm
3xxx005	Massage cushion	30x28x8 cm
3xxx015	Wedge shaped cushion	50x30x15 cm
1550813	Plug for nosehole, triangular shaped (only available in black)	16,5 x 21 cm
3445297	Wedge shaped, Kaltenborn, rubber model (only available in black)	22,5 x 10,5 x 8,5
3446161	Support bag with sand 1,2 kg ⁽¹⁾	15x25 cm
3446162	Support bag with sand 2 kg ⁽¹⁾	18x27 cm
3446166	Support bag with sand 4 kg ⁽¹⁾	25x35 cm
3446167	Support bag with sand 7 kg ⁽¹⁾	30x45 cm

(1) = only available in grey



EXECUTIVE



012
black



213
grey



199
lavender



204
sirius blue



169
cornflower
blue



170
baby blue



NATURAL



811
volcano black



851
sand

LIFESTYLE



410
anthracite



408
terracotta



ACCESSORIES MANUMED TILT

COUCH COVERS

3445240	Couch cover, with a cutaway for the nose	blue
3445241	Couch cover, with a cutaway for the nose	bordeaux
3445242	Couch cover, with a cutaway for the nose	white
3445244	Couch cover, with a cutaway for the nose	jade
3445249	Couch cover, with a cutaway for the nose	dark grey
3445250	Couch cover, with a cutaway for the nose	royal blue
3445251	Couch cover, with a cutaway for the nose	camel
3445261	Couch cover, without a cutaway for the nose	blue
3445034	Couch cover, without a cutaway for the nose	bordeaux
3445267	Couch cover, without a cutaway for the nose	white
3445262	Couch cover, without a cutaway for the nose	jade
3445248	Couch cover, without a cutaway for the nose	dark grey
3445247	Couch cover, without a cutaway for the nose	royal blue
3445252	Couch cover, without a cutaway for the nose	camel
3445259	Elastic straps for couch cover with clip fittings at both ends, set of 3	

